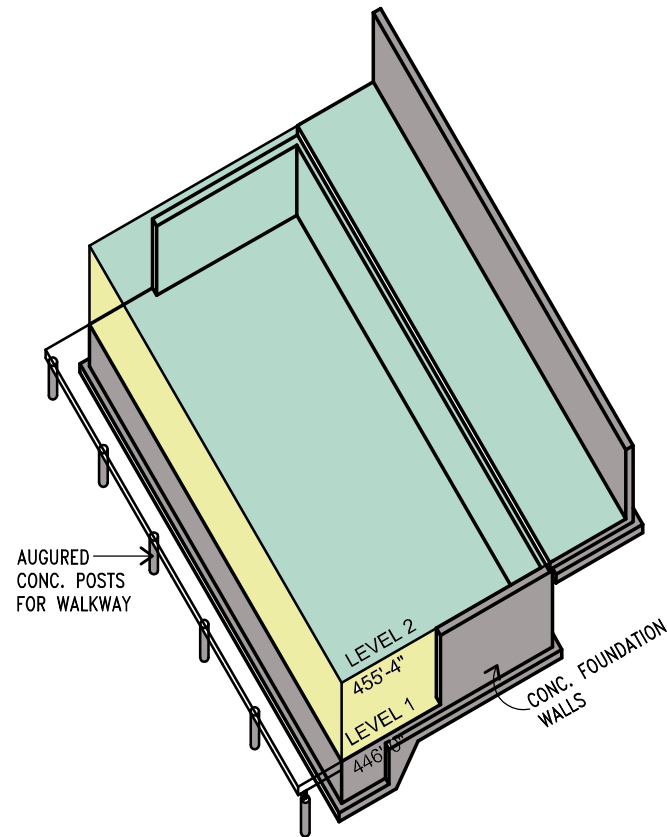


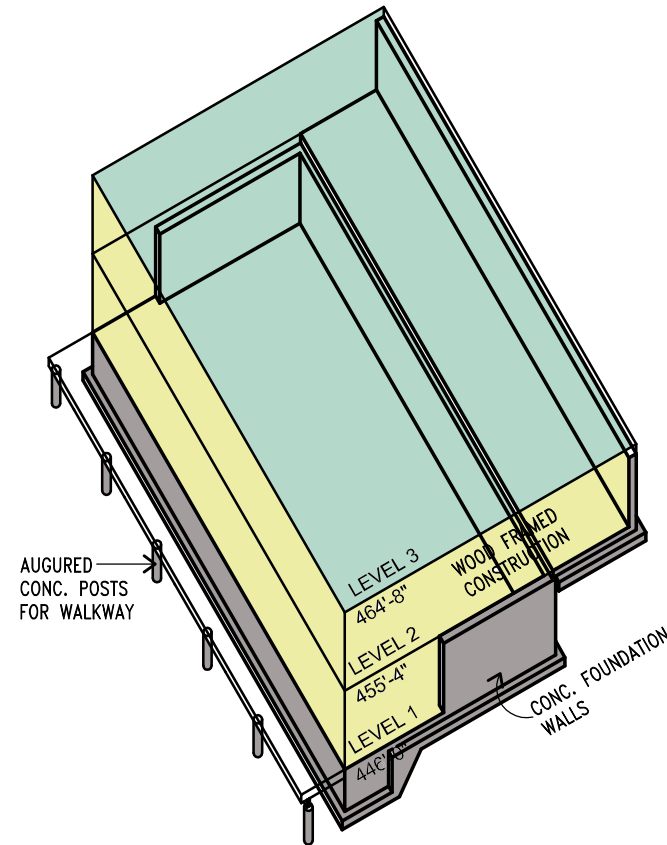
1. FOUNDATION & LEVEL 1 - 446'-0"

- CONC. FOUNDATION & WALLS
- POUR FLOOR SLAB



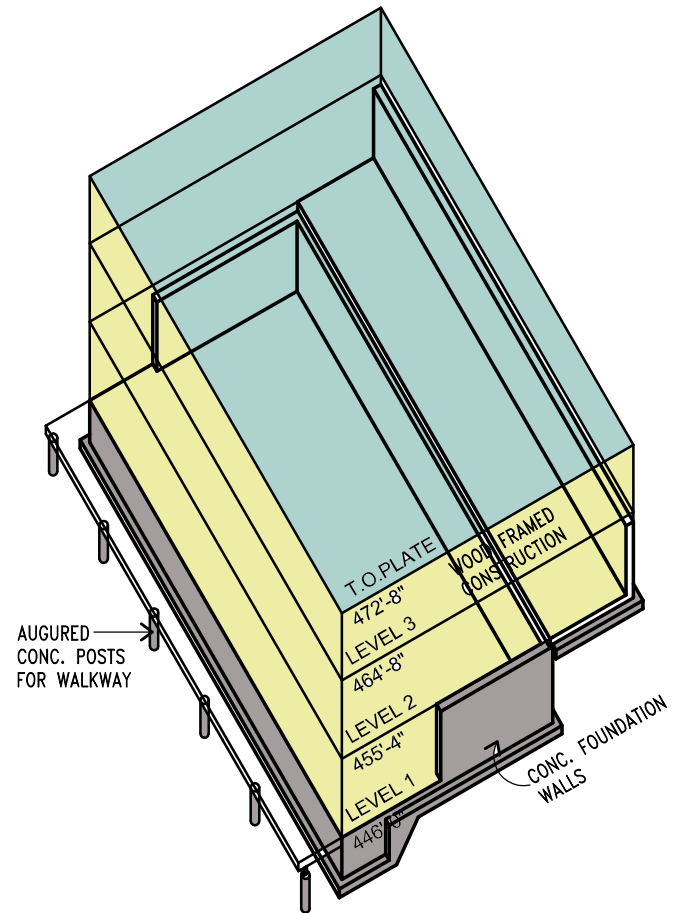
2. LEVEL 2 - 455'-4"

- CONSTRUCT WD. FRAMED WALLS TO LEVEL 2
- CONSTRUCT EAST CONC. WALL
- CONSTRUCT WOOD FLOOR



3. LEVEL 3 - 464'-8"

- CONSTRUCT WD. FRAMED WALLS TO LEVEL 3
- CONSTRUCT WOOD FLOOR



4. ROOF 472'-8"

- CONSTRUCT WD. FRAMED WALLS TO ROOF
- FRAME ROOF

TYPICAL BUILDING CONSTRUCTION SEQUENCE

1. INTERIOR WALLS NOT SHOWN FOR CLARITY
2. DOES NOT INCLUDE SITEWORK